

# WARRANTY

This range of product is covered by a limited 2 year warranty against component failure or faulty workmanship from the date of installation. A faulty unit should be returned in the first instance to the dealer from which the unit was purchased. Damage to the unit due to misuse, power surges, lightning strikes or installation that is not in accordance with the manufacturer's instruction may void the warranty.

Warranty does not cover travel costs to or from installation site.

If the power cord is damaged, do not use the controller; return the unit to the supplier for repair.

**Customer Record.** (To be retained by the customer)

Dealer/Installer Name \_\_\_\_\_

Serial Number \_\_\_\_\_

Date Installed \_\_\_\_\_

**For service assistance phone 1300 763 021**

**Zodiac Group Australia 219  
Woodpark Rd  
Smithfield, NSW  
Australia 2164**

[www.zodiac.com.au](http://www.zodiac.com.au)

Zodiac lives in the backyards of Australian families, at home in the pool. Zodiac began and continues with a dedication to innovation and new product development, focused on ensuring a better way of life. Our products deliver solutions to take the hassle out of owning a pool. So, all that's left is for you to enjoy it; to enjoy a better life.

## Zodiac Intelli-Heat Separate Switch Controller

### Description

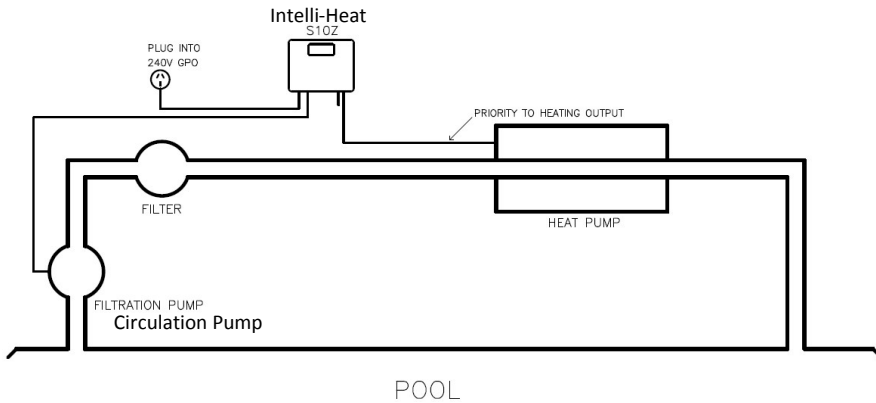
Zodiac Intelli-Heat controller suitable for separate pump systems in combination with Zodiac Heat Pumps (WCE0000S)

### Operation

The Intelli-Heat Switch Controller is designed to switch a 240 Vac pump rated to 10 Amps 2400 watts on and off from the Switch Input. This unit is designed to be connected to the 'priority to heating' outputs from Zodiac heat pumps.

### Priority to heating

A heating device, whatever it is, is designed to heat the water of the pool only when the water circulates. This is the reason why the Zodiac heat pump is equipped with the "priority to heating" function that will manage the temperature of the pool. Every hour (times vary depending on model) the circulation pump is started up for 5 minutes. If after 5 minutes, the temperature of the water is over the required temperature, the circulation shuts off for one more hour. Otherwise, the circulation and heat pumps are going to keep on operating until the desired temperature is reached. By this mean, the user is sure the water is always ready for bathe, at day or at night.



## INSTALLATION INSTRUCTIONS

### Controller Mounting

Find a suitable location to mount the control box. Ideally as with all pool equipment it should be installed out of direct weather and no closer than 3 meters from the water's edge. Lift up the two mounting tabs and use two appropriate screws to mount the control box to the wall, keeping in mind that the power cable is 1.8m long and should be plugged directly into a general power outlet, not into an extension lead.

### Pump

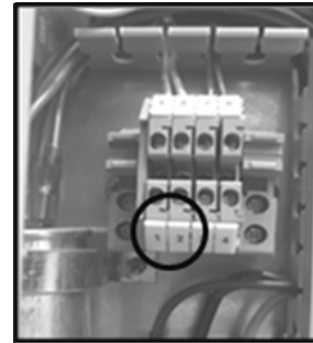
The pump plugs into the 240V outlet beneath the Intelli-Heat controller (marked OUTPUT on the controller face plate).

### Priority for Heating

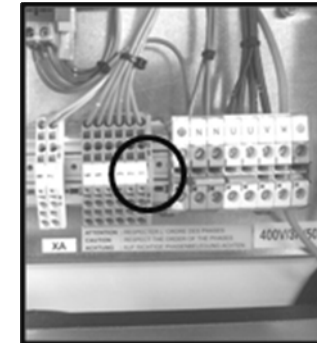
Connect the priority for heating cable from the controller to the following points for the appropriate heat-pump, note damage caused by incorrect connections will void warranties.

Connections for compatible Zodiac heat pumps are:

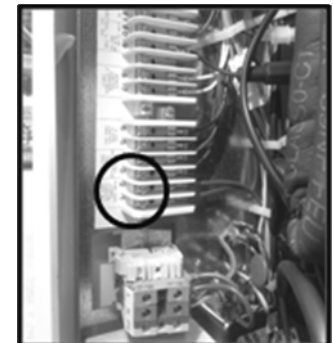
- For models Z200, Z300 and PowerForce connection through terminals 1 & 2 is required



**Z200**



**Z300**



**PowerForce**

- For ZS500 connection through terminals 11 & 12 is required



**ZS500**